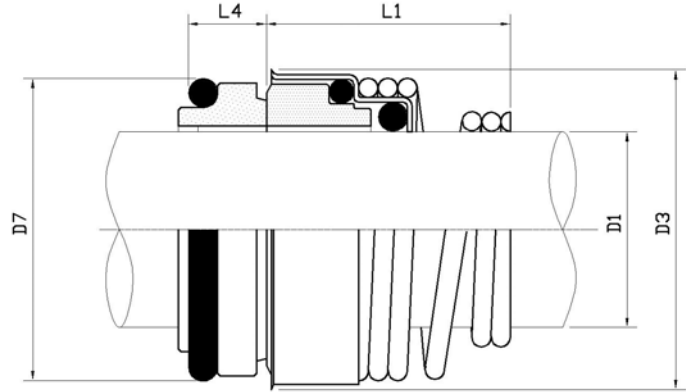


R3



Design Features

Metric size shafts, seat comply with FE housing
 Conical spring dependent on direction of rotation
 Unbalanced seals
 HR3 is ceramic rotary and carbon seat as standed
 HR2 is stainless rotary and carbon seat as standed

Operating Conditions

Temperature: -30°C to +200°C
 (Depending on materials used)
Pressure: Up to 10 bar , 145 psi
Speed: Up to 10m/s, 2000fpm

Materials available

Seal face: ceramic, carbon, sic
Elastomer: nitrile, viton, EPD

Equivalent to

SIMPLEX, ROTEN3, ROTEN2

| D1 | D3 | D7 | L1 | L4 | L=L1+L4 |
|------|----|------|----|------|---------|
| 10mm | 20 | 18.1 | 15 | 5.5 | 20.5 |
| 12mm | 22 | 20.6 | 18 | 5.5 | 23.5 |
| 14mm | 25 | 23.1 | 22 | 6.0 | 28.0 |
| 15mm | 29 | 26.9 | 22 | 7.0 | 29.0 |
| 16mm | 29 | 26.9 | 23 | 7.0 | 30.0 |
| 17mm | 29 | 26.9 | 23 | 7.0 | 30.0 |
| 18mm | 33 | 30.9 | 24 | 8.0 | 32.0 |
| 19mm | 33 | 30.9 | 25 | 8.0 | 33.0 |
| 20mm | 33 | 30.9 | 25 | 8.0 | 33.0 |
| 21mm | 38 | 35.4 | 25 | 8.0 | 33.0 |
| 22mm | 38 | 35.4 | 25 | 8.0 | 33.0 |
| 23mm | 38 | 35.4 | 27 | 8.0 | 35.0 |
| 24mm | 38 | 35.4 | 27 | 8.0 | 35.0 |
| 25mm | 40 | 38.2 | 27 | 8.5 | 35.5 |
| 28mm | 46 | 43.3 | 29 | 9.0 | 38.0 |
| 29mm | 46 | 43.3 | 30 | 9.0 | 39.0 |
| 30mm | 46 | 43.3 | 30 | 9.0 | 39.0 |
| 32mm | 46 | 43.3 | 30 | 9.0 | 39.0 |
| 33mm | 48 | 53.5 | 39 | 11.5 | 50.5 |
| 35mm | 50 | 53.5 | 39 | 11.5 | 50.5 |
| 38mm | 56 | 60.5 | 39 | 11.5 | 50.5 |
| 40mm | 58 | 60.5 | 39 | 11.5 | 50.5 |

R2

